

YD



62

7 4

400-027-0098 / 027-82850969

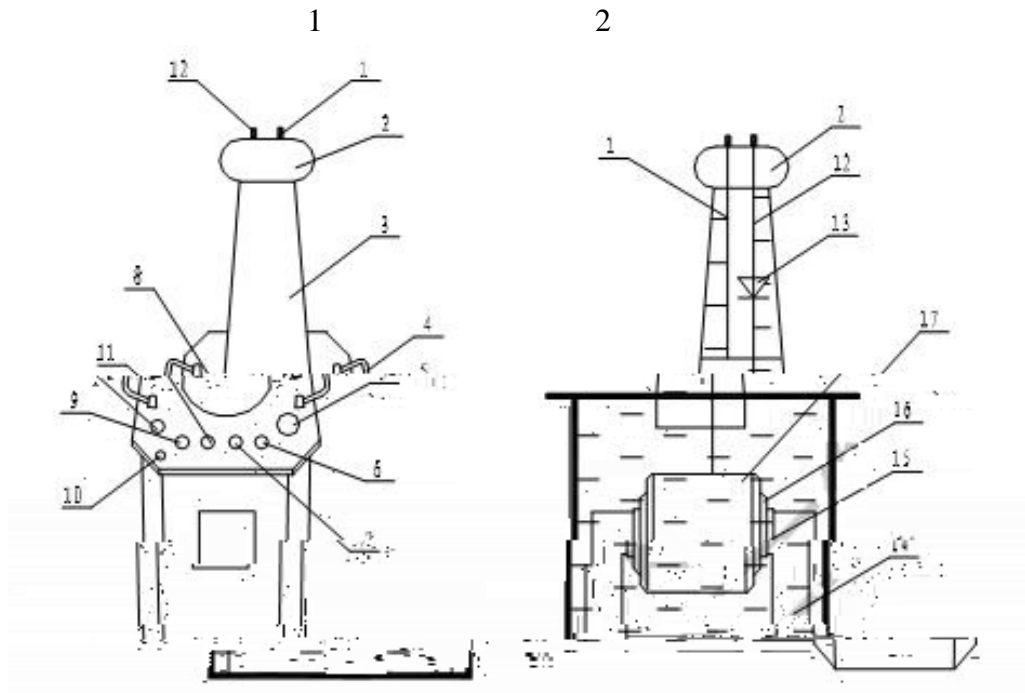
027-82210223

E-mail: whhy97@126.com

<http://www.hy-dl.cn>

YD

YD



- | | | | |
|------|-----|-----|------|
| 1- | D | 2- | 3- |
| 4- | | 5- | 6~7- |
| 8~9- | E F | 10- | a x |
| 12- | A | 11- | X |
| | | 13- | 14- |

15- YD YD
YD

16- a x

17- E F A X

AC220V 10KVA 380V

220V/380V YD YD

$\sqrt{2}$

200V YD YD

YD C

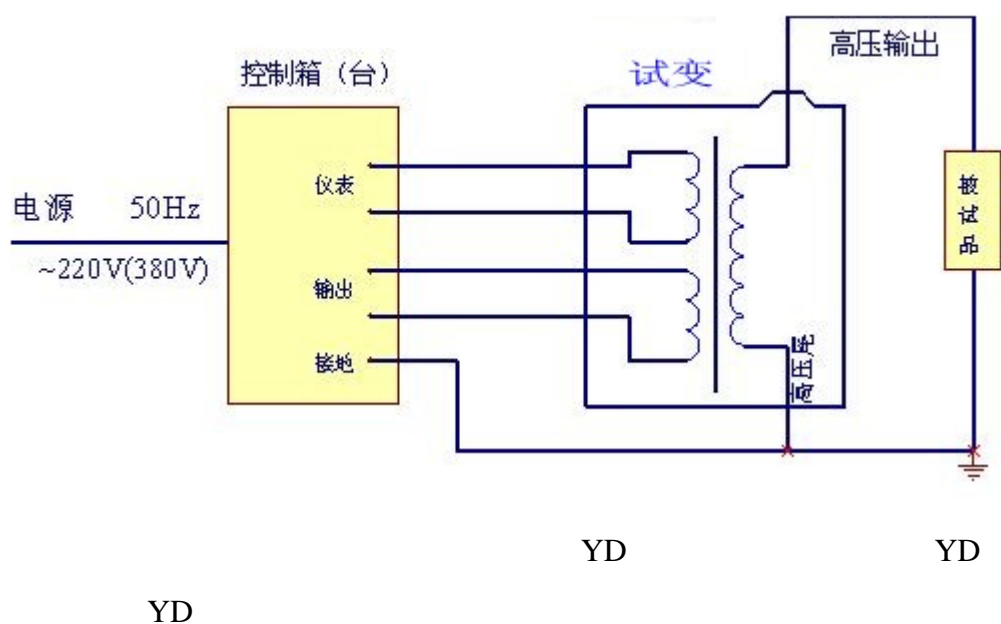
0

1.YD

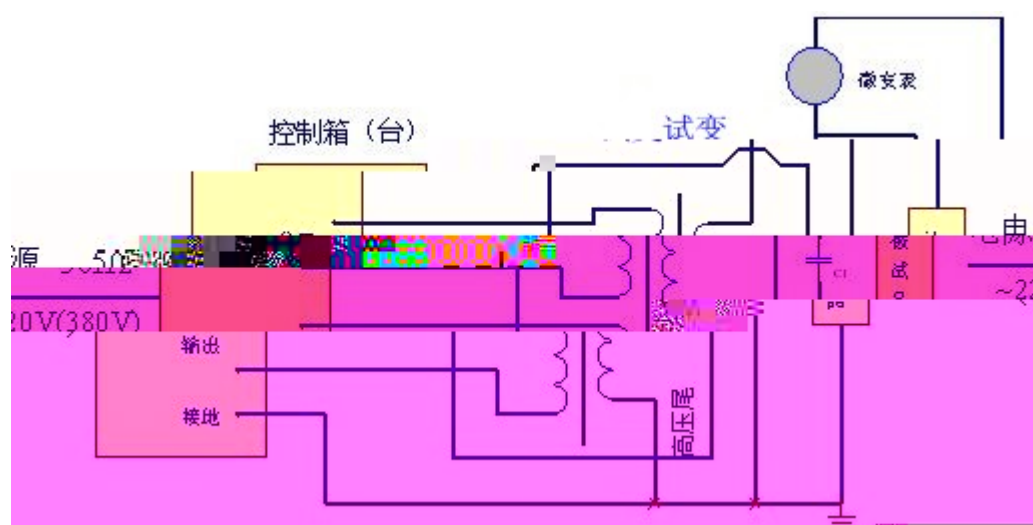
	KVA	KV	mA)				30
				V	A		
YD-1.5	1.5	50	30	200	7.5	500	10
YD-3	3	50	60	200	15	500	10
YD-5	5	50	100	200	25	500	10
YD-10	10	50	200	220/380	50/26	500	10
YD-20	20	50	400	380	53	500	10
YD-30	30	50	600	380	79	500	10
YD-40	40	50	800	380	105	500	10
YD-50	50	50	1000	380	132	500	10
YD-5	5	100	50	200	25	1000	10
YD-10	10	100	100	200/380	50/26	1000	10
YD-20	20	100	200	380	53	1000	10
YD-30	30	100	300	380	79	1000	10
YD-40	40	10	400	380	105	1000	10

2.YD

	KVA								30
		AC	DC	AC	DC	V	A		
YD-1.5	1.5	50	70	30	15	200	7.5	500	10
YD-3	3	50	70	60	15	200	15	500	10



2.



2.1

YD

2.2

2.3

2.4

2.5

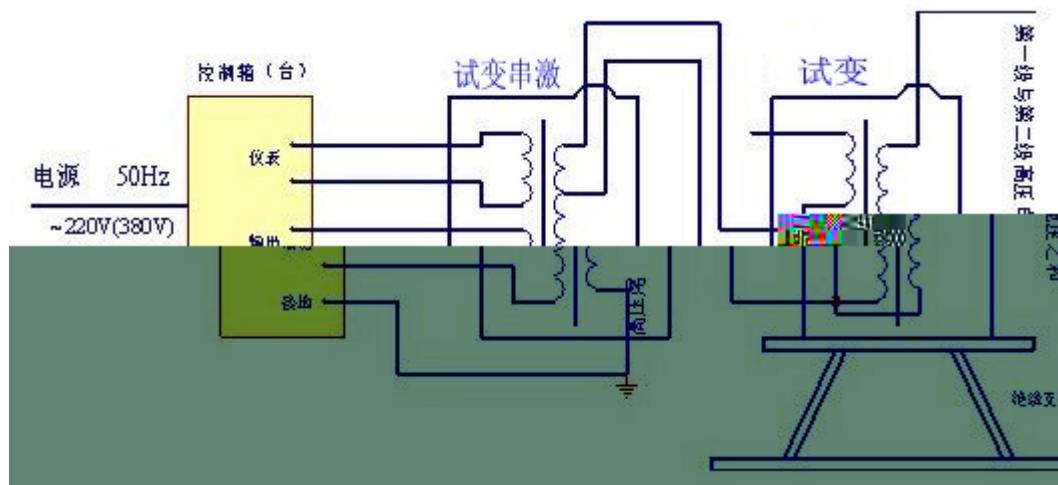
3.

3.1

YD

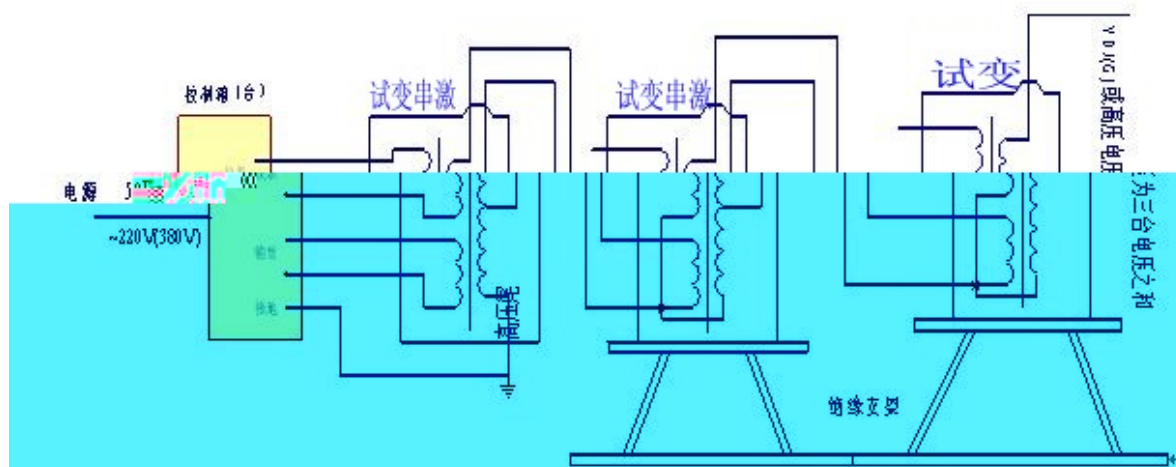
YD

3.2 YD



3 3

YD



u u1 u2 u3 s s3×3

3.4 YD

$2\sqrt{2} u$

1.

2.

3.

4.

5.

6.

7.

■

$P_n = KV_n^2 \quad C_t \times 10^{-9}$

P_n ----- kVA

V_n ----- kV

K-----

K 1 V_n 1MV K=2 K

C_t ----- PF

----- =2 f f-----

■

C_t C_t

-
- 100 - 1000PF
- 200 - 500PF
- <1000kVA-1000PF
- >1000kVA1000 - 10000PF
- 250 - 300PF/m
- -60PF/m
- SF6 100 - 10000PF
- Vn K
- Vn K
- Vn=50 - 100kV K=4
- Vn=150 - 300kV K=3
- Vn>300kV K=2

■

■

■

■

1. 1
2. 1
3. 1
4. / 1